



Call Now

+91-7382708685



VASTHI
INSTRUMENTS

Portable Dew Point Meter



VD H2
Series

Portable Dew Point Meter is designed to measure the performance of drying systems for air, nitrogen and other compressed gases. This Model is ideal for monitoring medical, commercial and industrial applications including plastics resin dryers, breathing air, pneumatic tools, instrument air, and spraying/coating applications. You can use this instrument continuously up to 90 hours without low battery indication.

It measures dew point by utilizing microprocessor circuitry to convert sensor signal by the use of psychometric equations. Assembled in a rugged hand held IP- 65 protected plastic enclosure and equipped with quick disconnect tubing couplings and an internal sensor manifold. An orifice maintains line pressure for true pressure dew point readings.

Applications

<i>Petrochemicals</i>	<i>Natural Gas</i>
<i>Utilities SF6 etc</i>	<i>Industrial Driers</i>
<i>Compressed Air</i>	<i>Pharmaceuticals</i>
<i>Medical</i>	<i>Alternative fuels</i>
<i>Nitrogen gas at the time of filling in the Transformers</i>	
<i>Transportation</i>	<i>Military</i>
<i>Aerospace</i>	<i>Environmental</i>
<i>Semiconductor</i>	<i>Ozone Generation</i>
<i>Heat Treating</i>	<i>Freeze Drying</i>

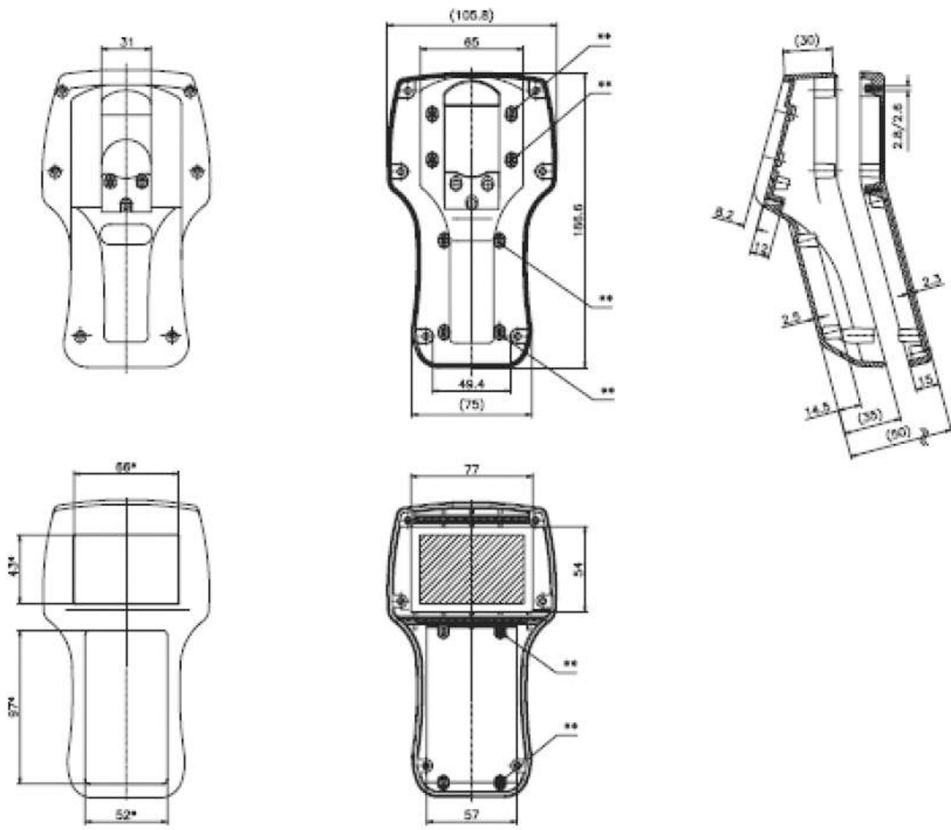
Services by Vasthi:

Evaluation
Custom Designs
Calibration & Certification Repair
Plant visiting Sampling Systems

Special Features of Vasthi Dew Point meters:

- Microprocessor based portable battery operated instrument.*
- Digital Graphical Display Measuring range -100 to +30° C dew point*
- Samples compressed air up to 12 Kg/cm.*
- Pressure and up to 95° C temperature can measure directly.*
- Quick disconnect fitting, desiccant test.*
- Handy and light weight.*
- Inbuilt thin film water vapor sensor.*
- Optional RS - 232 computer interface b data logger*

GA Drawing



Gas Inlet

Gas Outlet



Charger Socket



Specifications

Sensor Principle	Capacitive Thin Film Polymer
Dew Point Range	As User Requirement
Relative Humidity	0.01 to 99.99% RH
Temp	0.01 to 99.99 °C
Moisture	0 to 23000 PPM
Accuracy	+/-1 °C for 0 to +30 °C +/-1.5°C for 0 to -40 °C +/-2 °C for -40 to -80 °C
Maximum Sample Temp	90 °C (For higher temp use, Optional cooling coil is available)
Maximum Pressure	12kg/cm ²
Response Time	10 Seconds for 63a step change
Display	2.4" inch touch LCD
Power	Polymer Lipo(Lithium Ion) Battery
Inlet Sample Port	1/4" OD Tubing
Weight	445 grams (approx)
Dimensions	Refer to GA Drawing
Degree of Protection	IP65

Additional features(Optional)

Computer Interface: USB
 Data Logger: 1 Megabyte, Non-Volatile Memory
 In- built Pump: For Auto Suction

Ordering Information

-40 to +30 Range	Model - VD42 - H2
-60 to +30 Range	Model - VD62 - H2
-80 to +30 Range	Model - VD82 - H2
-100 to +30 Range	Model - VD92 - H2



VASTHI INSTRUMENTS PVT LTD

Plot No. 21 & 22, Block No. 24,
 Phase – 4, AutoNagar,
 Guntur 522 001, Andhra Pradesh
 Phone : +91 7382708685
 Email: info@vasthi.com